

## PTV LCO<sub>2</sub> Cryo Assy

(HP part no. G2617-60574)

(Recommended replacement level)

Description	HP Part No.	Qty.
1. PTV LCO <sub>2</sub> Brazement (valve to IP tube)	G2617-80010	1
2. PTV LCO <sub>2</sub> Valve Bracket	G2617-00010	1
3. CO <sub>2</sub> Cryo Valve	G1565-60545	1
NS Cap Prot W/O Flg	1401-0044	1
NS Scr-Mach 8-32 .375 in.	2510-0102	2
NS 1/8 Male Conn W/O O-ring	G1543-80025	1
NS Gland Seal LCO <sub>2</sub>	G1565-20590	1
NS TFE Seal	G1565-20840	1

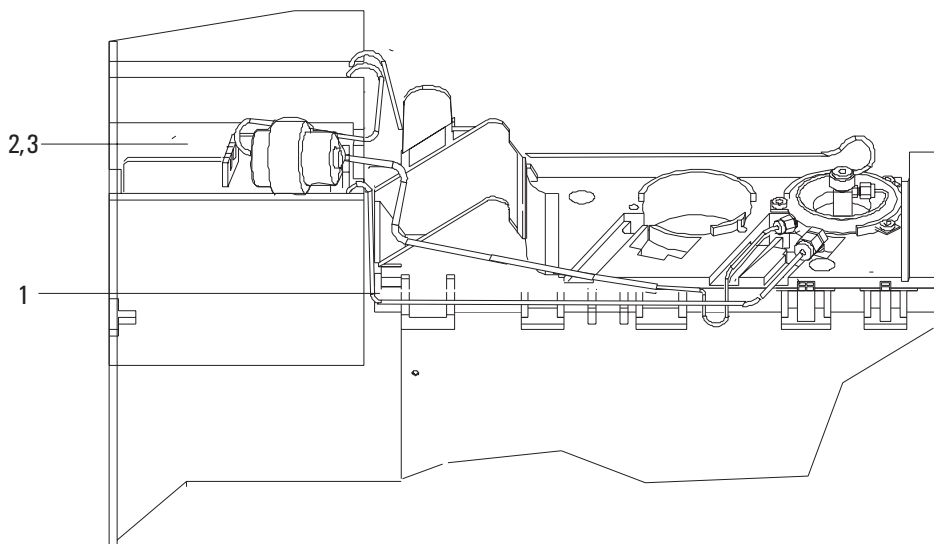


Figure 1310-13 PTV LCO<sub>2</sub> Cryo Assembly